



## SPECIFICATIONS

- Ranges from 3.5 to 700 bar (50 to 10,000 psi)
- Combined linearity & hysteresis < 0.25%
- Operating temperature up to 150°C (300°F)
- 0.5 to 4.5V or 4-20mA amplified output

## FEATURES

- Liquid and gas media compatible with SST304 or 17-4PH
- Variety of available pressure ports
- Variety of connector and cable outputs
- IP66 rating for absolute pressure reference

## APPLICATIONS

- Motorsports
- Downhole Exploration
- Hydraulic Pressures
- Transportation

## STANDARD RANGES

Range (psi)	Range (Bar)	Gage	Seal	Absolute	Compound
0...100	0...7	•		•	•
0...150	0...10	•		•	•
0...250	0...16	•		•	•
0...500	0...35	•		•	•
0...1000	0...70	•		•	•
0...1500	0...100	•		•	•
0...2250	0...150	•		•	•
0...3000	0...200	•		•	•
0...5000	0...350	•		•	•
0...7500	0...500	•		•	•
0...10000	0...700	•		•	•

Note: Intermediate ranges available upon request. For "•S" ,plesae confirm with factory.

## PERFORMANCE SPECIFICATIONS

Ambient Temperature: 25°C (unless otherwise specified)

PARAMETERS	MIN	TYP	MAX	UNIT	NOTES
Accuracy (combined non linearity, hysteresis, and repeatability)	-0.25	±0.25	0.25	%F.S. BFSL	@ 25°C
Zero Error	-0.5	±0.5	0.5	%F.S.BFSL	@ 25°C
Full Scale Error	-0.5	±0.5	0.5	%F.S.BFSL	@ 25°C
Isolation (Body to any Lead)	100			MΩ	@ 250VDC
Pressure Cycles	1X10 <sup>7</sup>			0~FS Cycles	
Proof Pressure	2X		20k psi	Rated	
Burst Pressure	3X		20k psi	Rated	
Long Term Stability (1 year)	-0.25		0.25	%F.S	
Total Error Band	-1	±1.0	1	%F.S	Over compensated temp range
Compensated Temperature	-20		85	°C	
Operating Temperature	-40		150	°C	
Storage Temperature	-40		150	°C	
Load Resistance (RL)	RL > 100k			Ω	Voltage Output
Load Resistance (RL)	<(Supply Voltage -9V) / 0.02A			Ω	Current Output
Current Consumption			10	mA	Voltage Output
Rise Time (10% to 90%)	<2ms (Voltage Output); <3ms (Current Output); Without Snubber				
Pressure Port Material	17-4PH+SST304 or 17-4 Integral Screw				
Shock	50g, 11msec Half Sine Shock per MIL-STD-202G, Method 213B, Condition A				
Vibration	±20g, MIL-STD-810C, Procedure 514.2-2, Curve L				

Notes: For custom configurations, please consult factory.

Pressure range under 0...70bar, customer to ensure venting through mating connector.

Compensated Temperature: The temperature range over which the product will produce an output proportional to pressure within the specified performance limits.

Operating Temperature: The temperature range over which the product will produce an output proportional to pressure but may not remain within the specified performance limits.

Storage Temperature: The temperature range over which the product can be stored safely in occasions without pressure applied or power input and remains rated performance. Beyond this temperature range may cause permanent damage to the product.

All configurations are built with supply voltage reverse and output short-circuit protections.

### CE Compliance (just for reference)

EN 55022 Emissions Class A & B

IEC 61000-4-2 Electrostatic Discharge Immunity (8kV contact/15kV air)

IEC 61000-4-3 Radiated, Radio-Frequency Electromagnetic Field Immunity (10V/m, 80M-1GHz)

IEC 61000-4-4 Electrical Fast Transient Immunity (1kV)

IEC 61000-4-5 Surge Immunity (V+ to V-: ±2KV/42Ω; L to Case: ±1KV/12Ω; V- to V0: ±1KV/42Ω)

IEC 61000-4-6 Immunity to Conducted Disturbances Induced by Radio Frequency

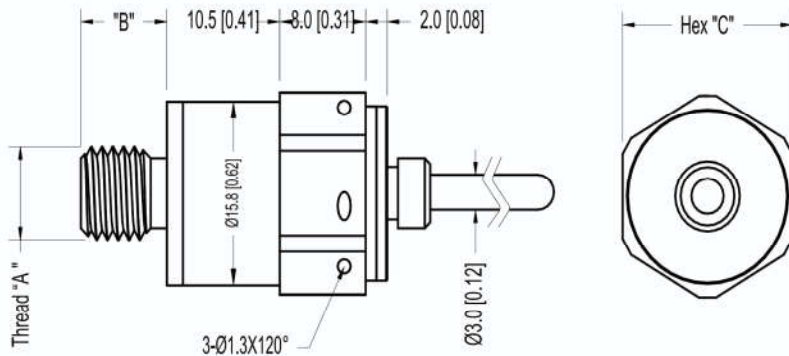
Fields (150K~80MHz, 10V level for voltage output models, 3V level for current output model)

IEC 61000-4-9 Pulse Magnetic Field Immunity (100A/m peak)

For all CE compliance tests, max allowed output deviation ±1.5 %F.S. (Just Factory Testing)

### DIMENSIONS [mm]

STANDARD EPRB-2 WITH SHIELDED CABLE OUTPUT (standard length = 1m)



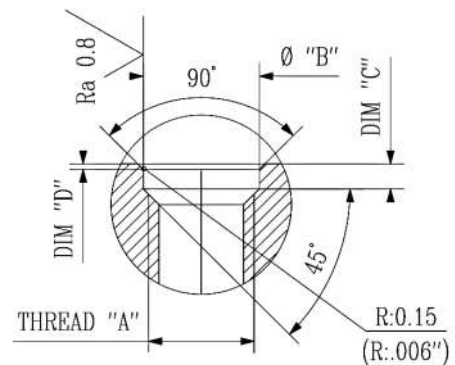
### PRESSURE PORT TYPE

CODE	Thread "A"	THREAD LENGTH "B"	HEX. "C"	O-RING SUPPLIED	INSTALLATION TORQUE
N	M5X0.8	8.2 (.323")	15.8mm(0.62")	Ø3.5x1.5 FKM Fluoroelastomer*	1 Nm (2 Nm max.)
V	10-32 UNF-2A	8.2 (.323")	15.8mm(0.62")	Ø3.5x1.5 FKM Fluoroelastomer*	1 Nm (2 Nm max.)
S	M8X1	8.2 (.323")	15.8mm(0.62")	Ø6.07x1.78 FKM Fluoroelastomer	2.5 Nm (5 Nm max.)
Q	5/16"-24 UNF-2A	8.2 (.323")	15.8mm(0.62")	Ø6.07x1.78 FKM Fluoroelastomer	2.5 Nm (5 Nm max.)
P	M10X1	8.2 (.323")	15.8mm(0.62")	Ø7.65x1.63 FKM Fluoroelastomer* 3	3 Nm (6 Nm max.)
X	3/8"-24 UNF-2A	8.2 (.323")	15.8mm(0.62")	Ø7.65x1.63 FKM Fluoroelastomer* 3	3 Nm (6 Nm max.)
Z	7/16"-20 UNF-2A	8.2 (.323")	18 mm (.71")	Ø7.65x1.63 FKM Fluoroelastomer* 3	5 Nm (10 Nm max.)
W	G 1/4A (BSP)	11.7 (.460")	18 mm (.71")	Not Supplied	5 Nm (10 Nm max.)
Y	1/4"-18 NPT	14 (.551")	18 mm (.71")	Not Supplied	5 Nm (10 Nm max.)
E	S4395E02			per AS4395	
F	AS4395E04			per AS4395	

\* Temperature -20 to 120°C. Consult factory for other material.

### INSTALLATION & CONNECTION

THREAD "A"	Dim"B"	Dim"C"	Dim"D"
M5X0.8	5.6mm	1.5mm	0.2mm
10-32 UNF	0.22"	0.06"	0.01"
M8X1	8.8mm	1.9mm	0.4mm
5/16-24 UNF	0.35"	0.075"	0.015"
M10X1	10.4mm	2.0mm	0.4mm
3/8"-24 UNF	0.41"	0.077"	0.015"
7/16-20UNF	0.48"	0.086"	0.015"



### WIRING AND CONNECTOR OUTPUT OPTIONS

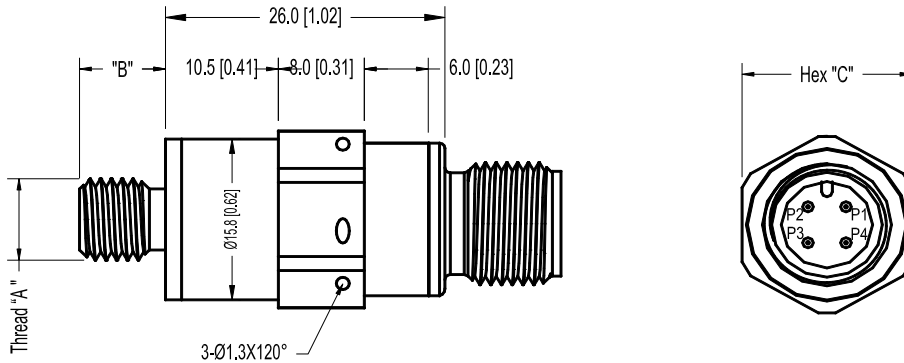
Standard cable output: shielded cable (4 x AWG26)

Cable shield not connected to housing for model U3/U6/R3

Cable shield connected to housing for model I5

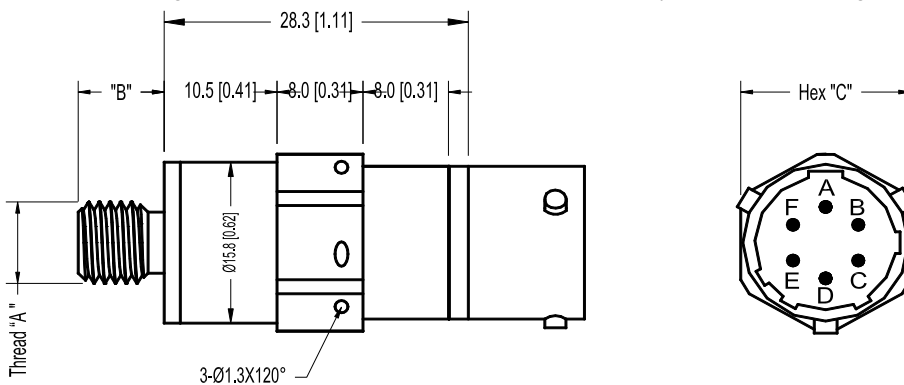
Wire color	Models	Model
	U3/U6/R3	I5
Red	+SUPPLY	+SUPPLY
Black	-SUPPLY	-SUPPLY
Green	+OUTPUT	reserved to factory
White	-OUTPUT	reserved to factory

Option CM1: M12 connector



CM1	Models	Model
	U3/U6/R3	I5
1	+SUPPLY	+SUPPLY
2	+OUTPUT	reserved to factory
3	-OUTPUT	reserved to factory
4	-SUPPLY	-SUPPLY

Option CM2: integral connector MIL-C 26482 MS3113H10-6P (limited to operating temperature 125°C)

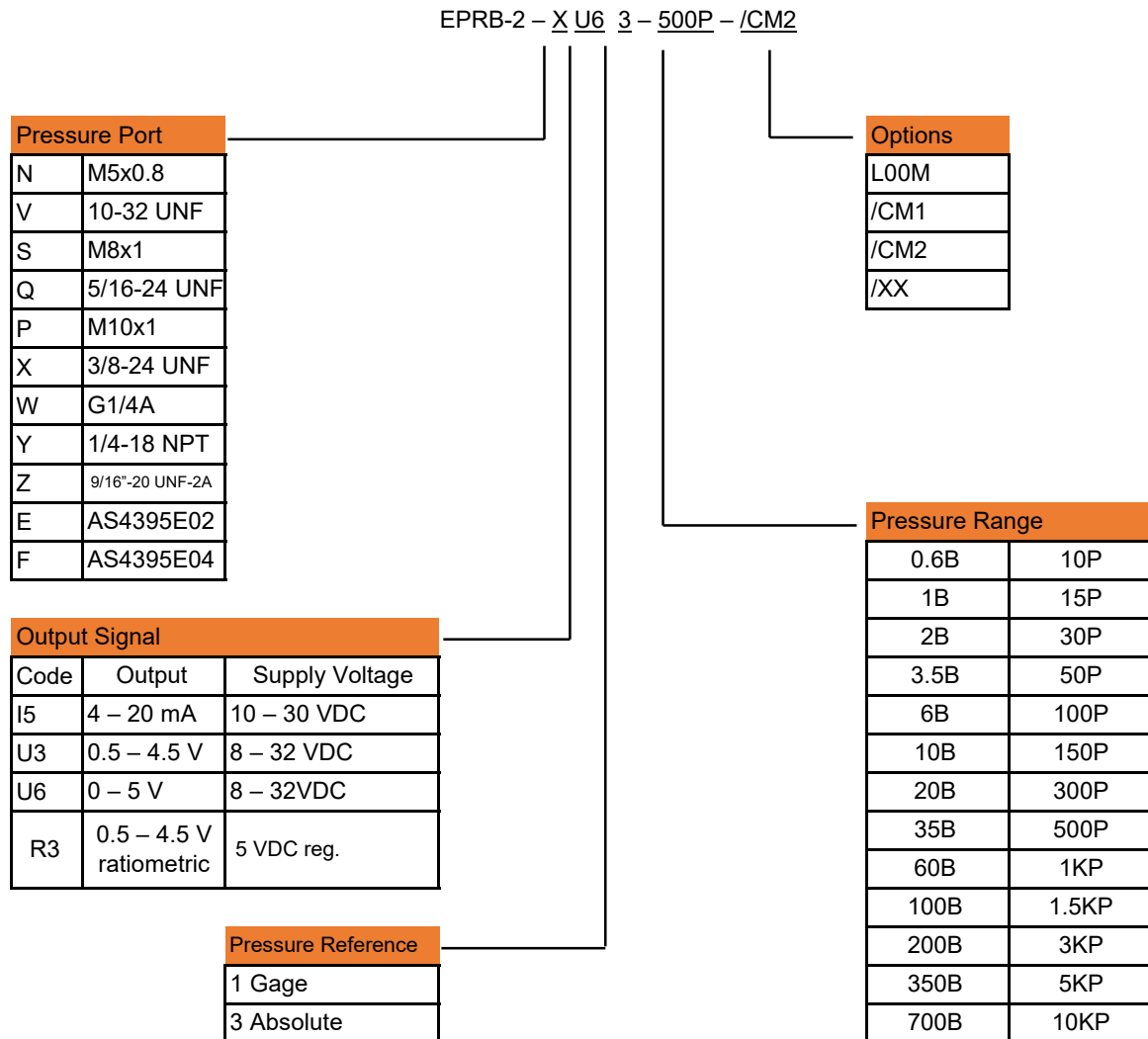


CM2	Models	Model
	U3/U6/R3	I5
A	+SUPPLY	+SUPPLY
B	+OUTPUT	reserved to factory
C	-OUTPUT	reserved to factory
D	-SUPPLY	-SUPPLY
E	not used	not used
F	not used	not used

Options

Codes	Option	Description
L00M	Special Cable Length (standard = 1 m)	Replace "00" with total length in meters ( for example L3M ; L5M ; L10M...)
CM1	Connector	M12 connector
CM2	Connector	MIL-C 26482 MS3113H10-6P (limited to operating temperature 125°C)

## ORDERING INFORMATION



The psi range models are only supplied with imperial thread design.

The bar range models are only supplied with metric thread design.